

Amiga

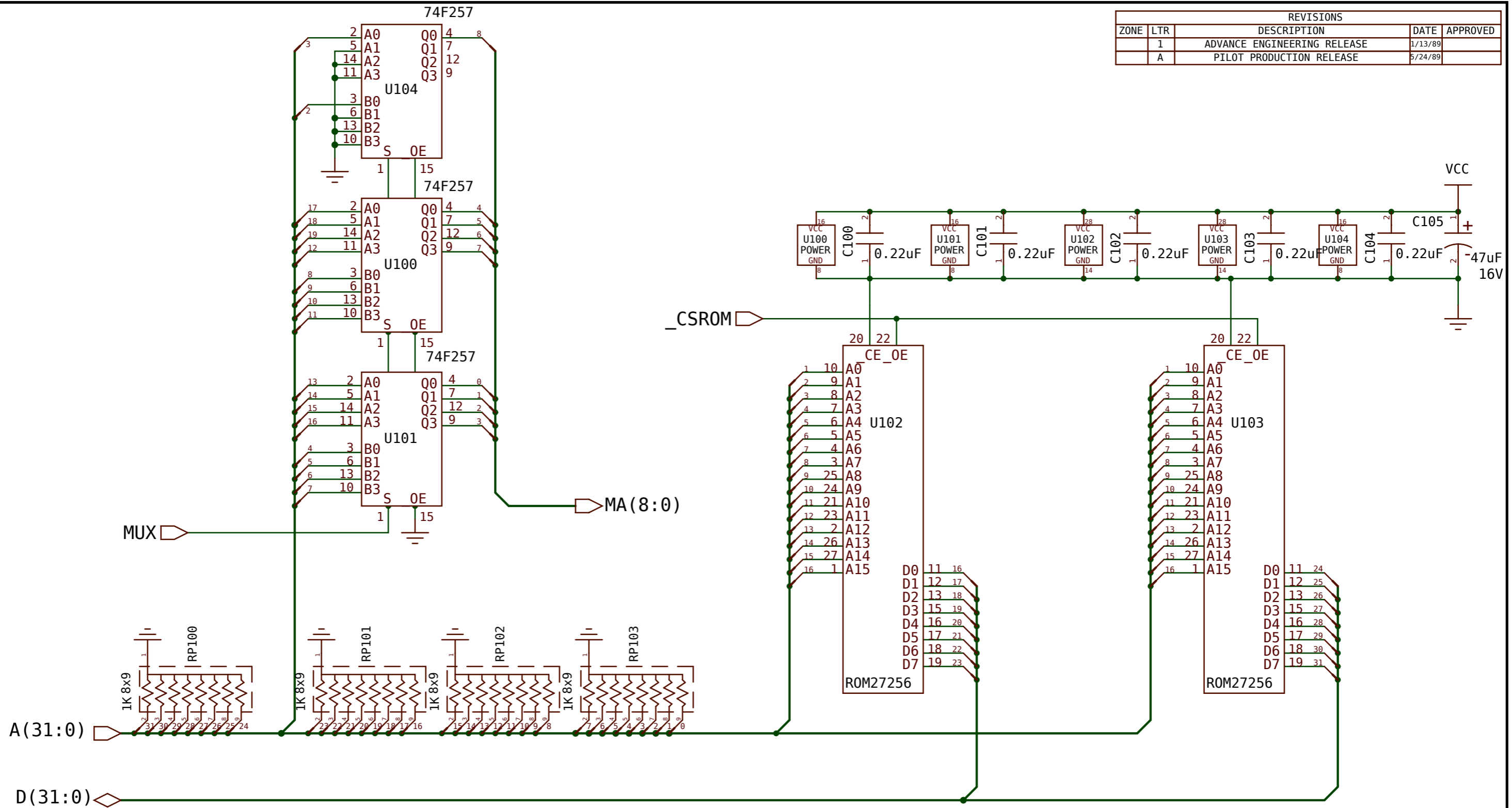
A2630_R9

Rev.1.38 (09.09.2012)



www.amigawiki.org

REVISIONS				
ZONE	LTR	DESCRIPTION	DATE	APPROVED
	1	ADVANCE ENGINEERING RELEASE	1/13/89	
	A	PILOT PRODUCTION RELEASE	5/24/89	



A2630 Rev 9 8/2/89
"The Edge"

© 1989 COMMODORE BUSINESS MACHINES
Information contained herein is the unpublished, confidential and trade secret property of Commodore Business Machines, Inc. Any use, reproduction or disclosure of this information without the prior written permission of Commodore is strictly prohibited.

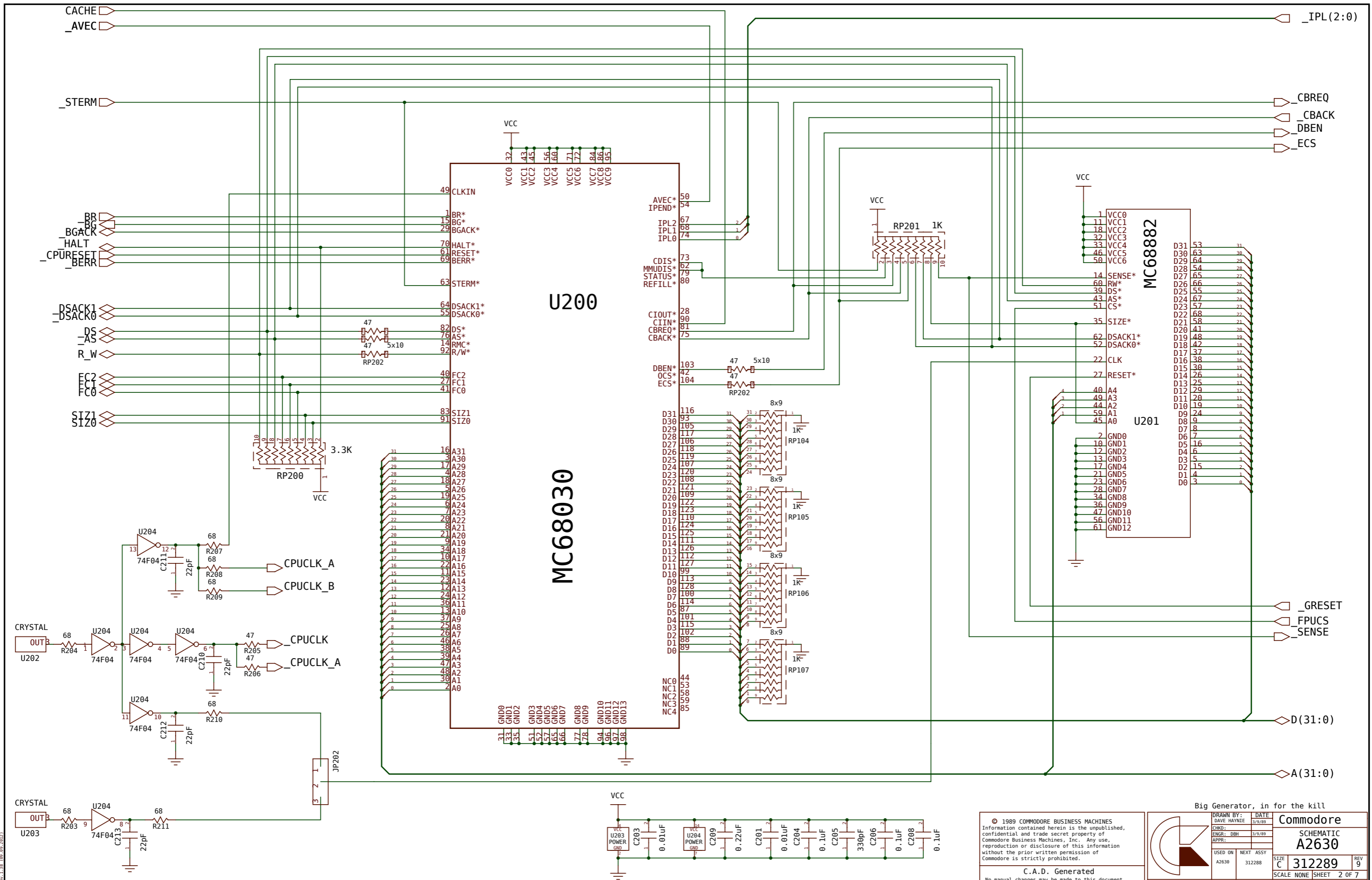
C.A.D. Generated
No manual changes may be made to this document

Got the fever, oh I got the fever

DRAWN BY: DAVE HAYNIE	DATE 3/9/89	Commodore	
CHKD:		SCHEMATIC	
ENGR: DBH	3/9/89	A2630	
APPR:		SIZE C	REV 9
USED ON A2630	NEXT ASSY 312288	312289	
		SCALE NONE	SHEET 1 OF 7

PATH: -haynie/amiga/a2630 sheet1

Rev. 1.38 (09.09.2012)



Rev. L338 (08/09/2012)

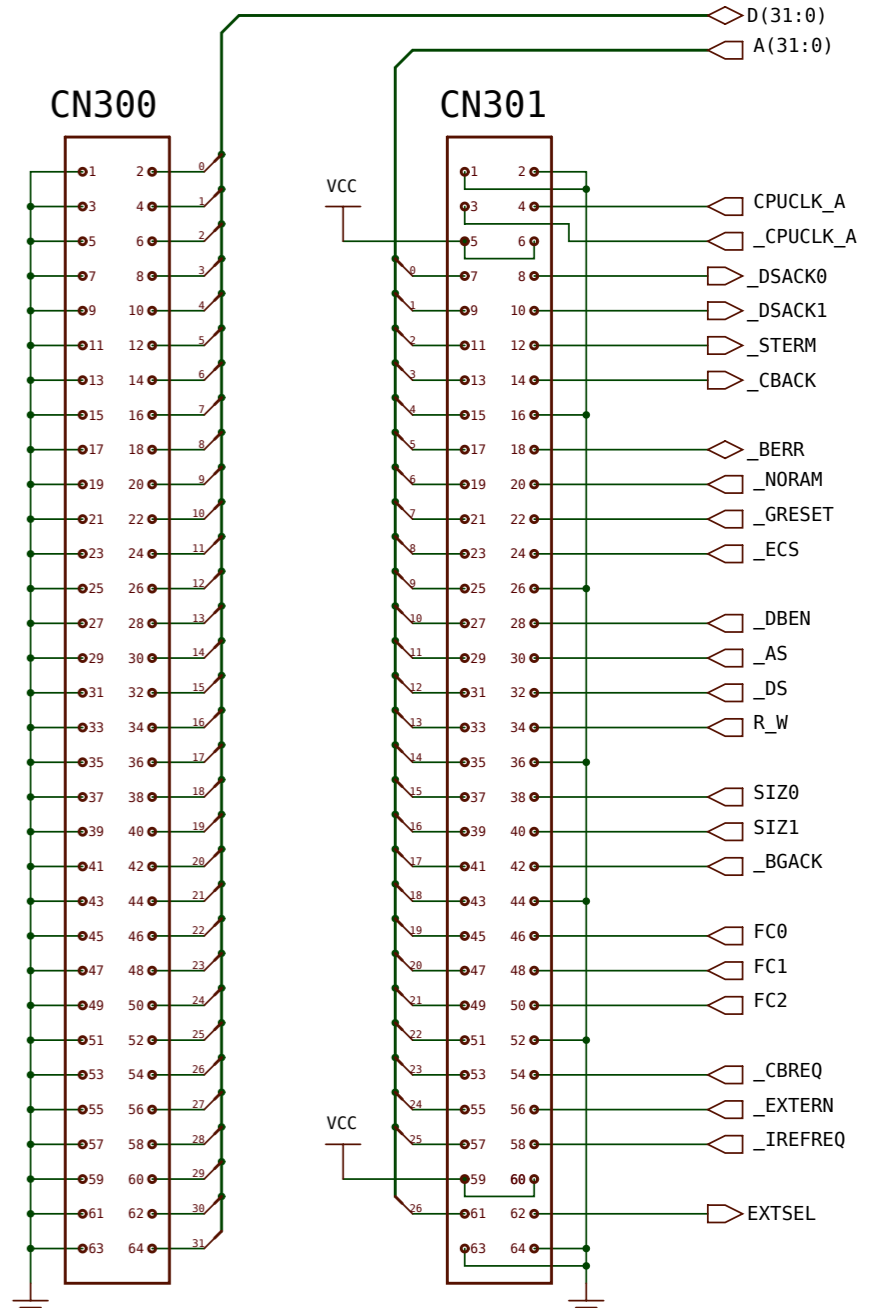
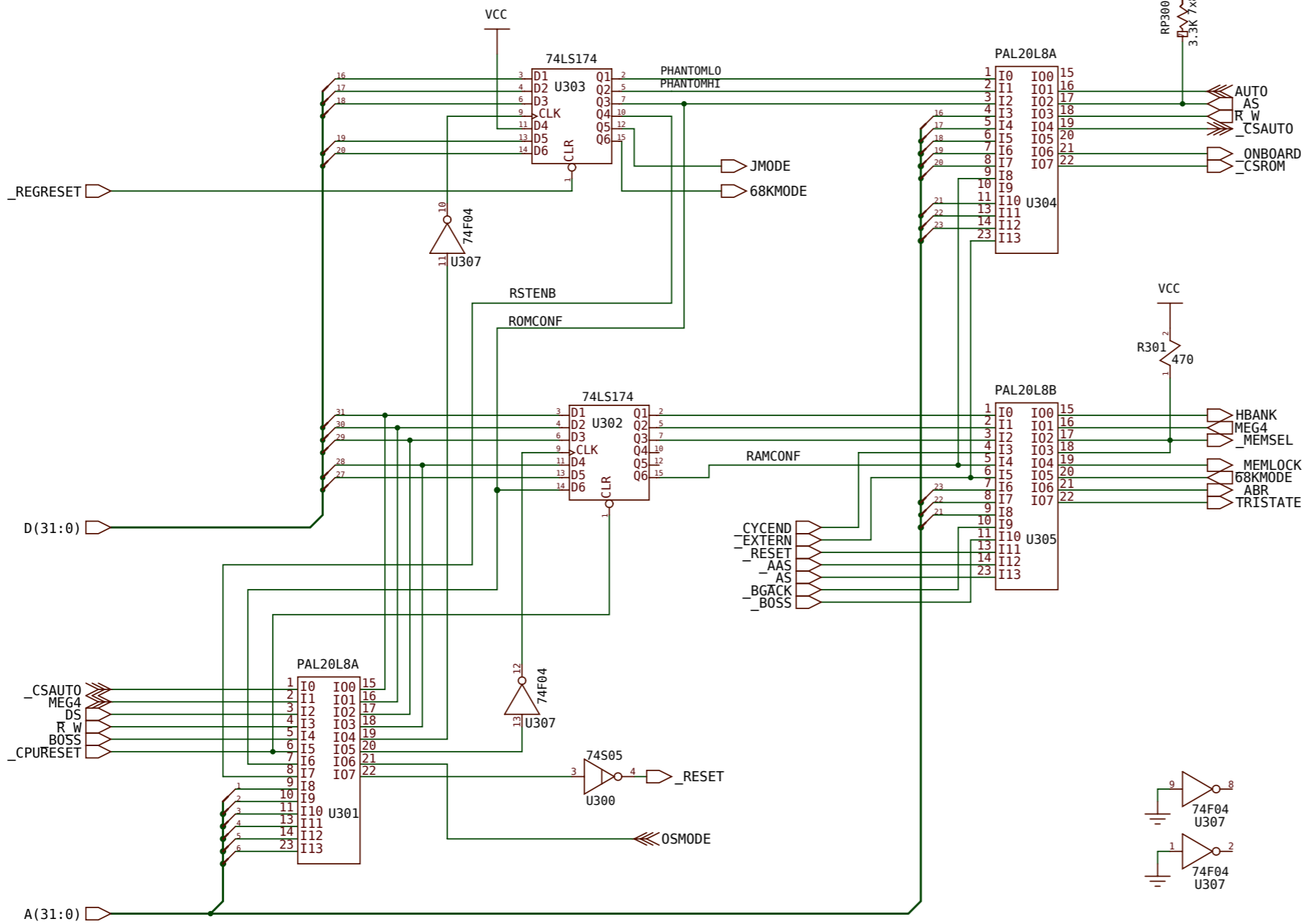
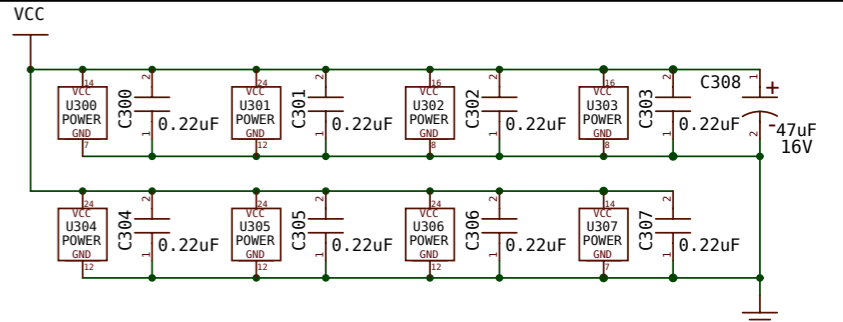
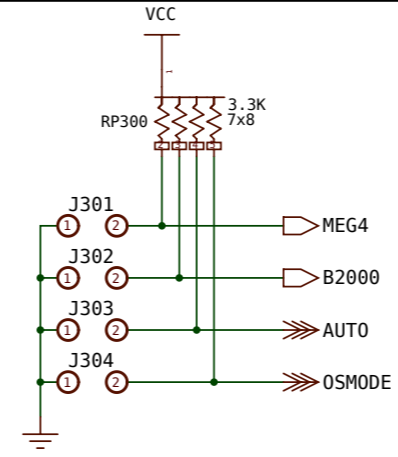
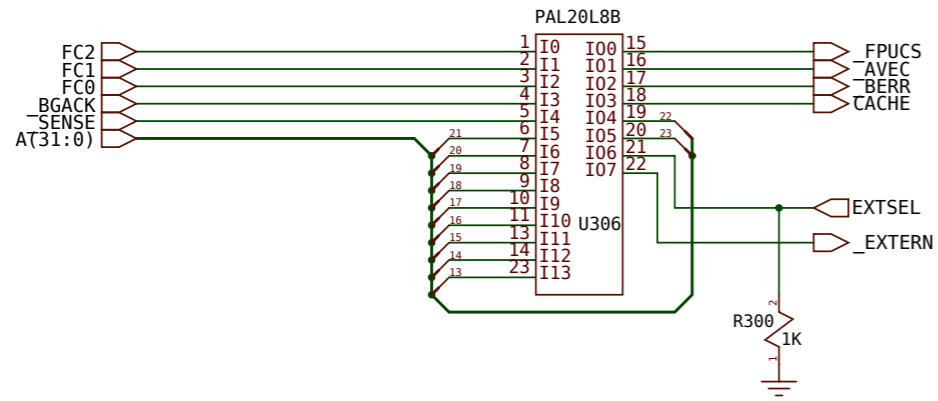
© rebuild for www.amigawiki.org · for private use only

© 1989 COMMODORE BUSINESS MACHINES
 Information contained herein is the unpublished,
 confidential and trade secret property of
 Commodore Business Machines, Inc. Any use,
 reproduction or disclosure of this information
 without the prior written permission of
 Commodore is strictly prohibited.
C.A.D. Generated
 No manual changes may be made to this document

Big Generator, in for the kill

DRAWN BY: DAVE HAYNIE	DATE: 3/9/89	Commodore SCHEMATIC A2630
ENGR: DBH	3/9/89	
APPR:		
USED ON: A2630	NEXT ASSY: 312288	SIZE: C SCALE: NONE SHEET: 2 OF 7

PATH: --haynie/amiga/a2630 sheet2

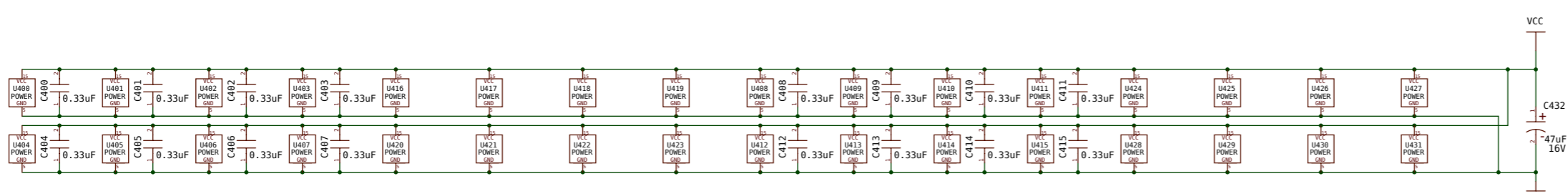
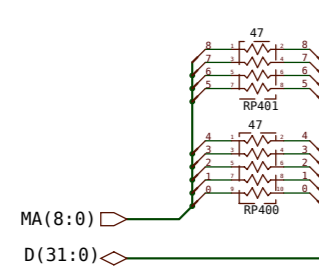
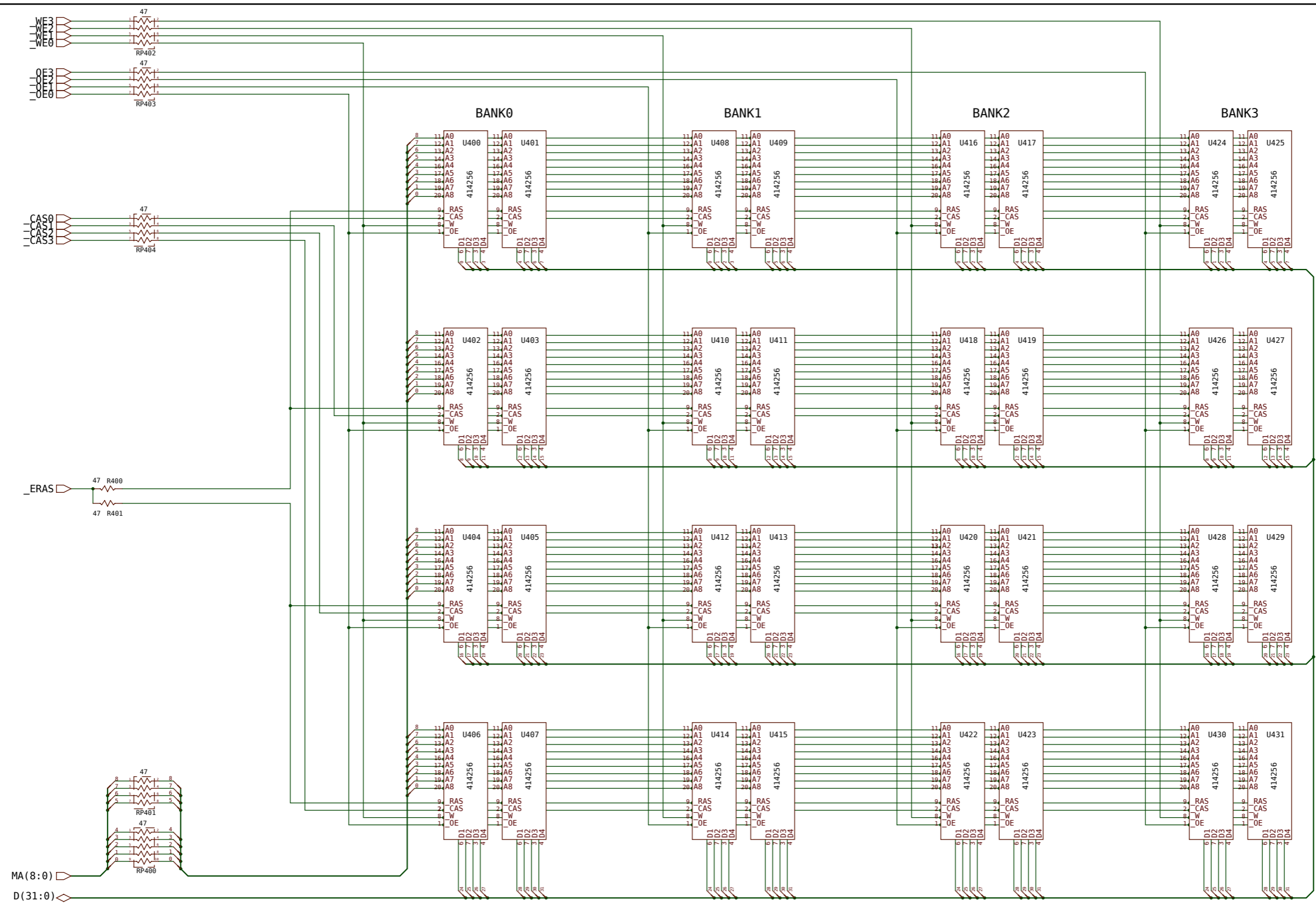


I can't relax, 'cause I'm a Boinger!

© 1989 COMMODORE BUSINESS MACHINES
 Information contained herein is the unpublished, confidential and trade secret property of Commodore Business Machines, Inc. Any use, reproduction or disclosure of this information without the prior written permission of Commodore is strictly prohibited.
 C.A.D. Generated
 No manual changes may be made to this document

	DRAWN BY: DAVE HAYNIE ENGR: DBH APPR:	DATE: 3/9/89 3/9/89	Commodore	
	USED ON: A2630 NEXT ASSY: 312288		SCHEMATIC A2630	
SCALE: NONE		SIZE: C	312289	REV: 9
PATH: -haynie/amiga/a2630.sheet3		SHEET: 3 OF 7		9

REV. 1.38 (09/09/2012)



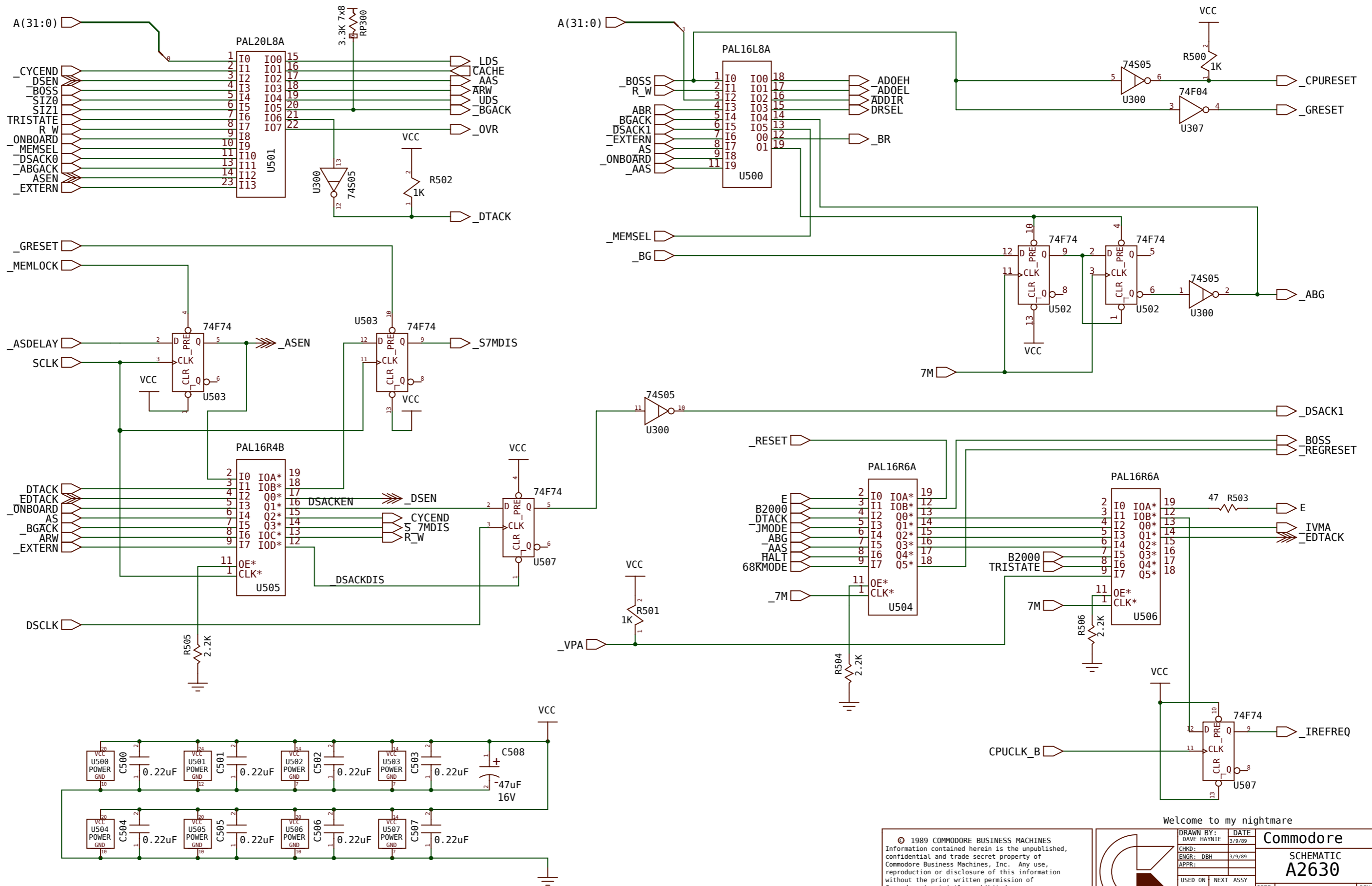
© 1989 COMMODORE BUSINESS MACHINES
 Information contained herein is the unpublished, confidential and trade secret property of Commodore Business Machines, Inc. Any use, reproduction or disclosure of this information without the prior written permission of Commodore is strictly prohibited.

C.A.D. Generated
 No manual changes may be made to this document

So we sailed into the Sun, till we found the Sea of Green

DRAWN BY: SHAVE, HAYNIE	DATE: 1/2/89	Commodore
ENGR: DBH	1/2/89	
USED ON NEXT ASSY		SCHEMATIC A2630
A2630	312288	
SCALE NONE		SIZE C 312289
		REV 9
		SHEET 4 OF 7

PATH: -haynie/amiga/a2630_she4




Rev. 1.38 (09-09-2012)

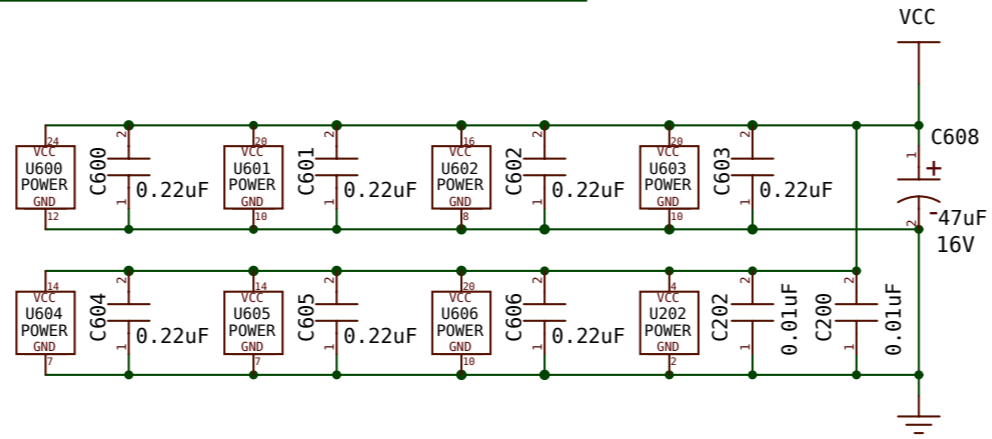
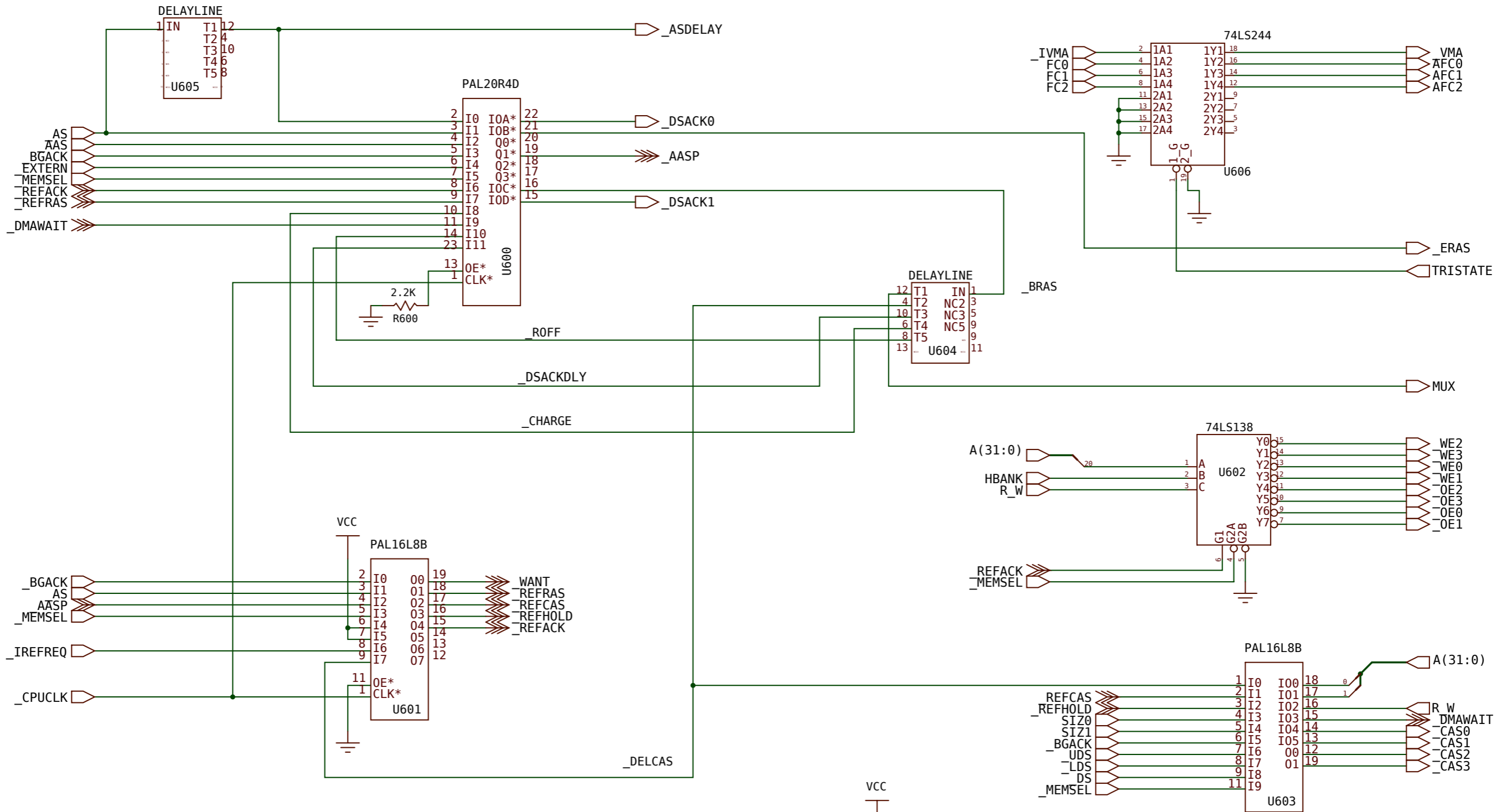
© rebuild for www.amigawiki.org · for private use only

© 1989 COMMODORE BUSINESS MACHINES
 Information contained herein is the unpublished, confidential and trade secret property of Commodore Business Machines, Inc. Any use, reproduction or disclosure of this information without the prior written permission of Commodore is strictly prohibited.
 C.A.D. Generated
 No manual changes may be made to this document

Welcome to my nightmare

	DRAWN BY: DAVE HAYNIE ENGR: DBH APPR:	DATE: 3/9/89	Commodore SCHEMATIC A2630	
	USED ON: A2630 NEXT ASSY: 312288	SIZE: C 312289		REV: 9
	SCALE: NONE SHEET: 5 OF 7			

PATH: -haynie/amiga/a2630 sheet5



© 1989 COMMODORE BUSINESS MACHINES
 Information contained herein is the unpublished, confidential and trade secret property of Commodore Business Machines, Inc. Any use, reproduction or disclosure of this information without the prior written permission of Commodore is strictly prohibited.

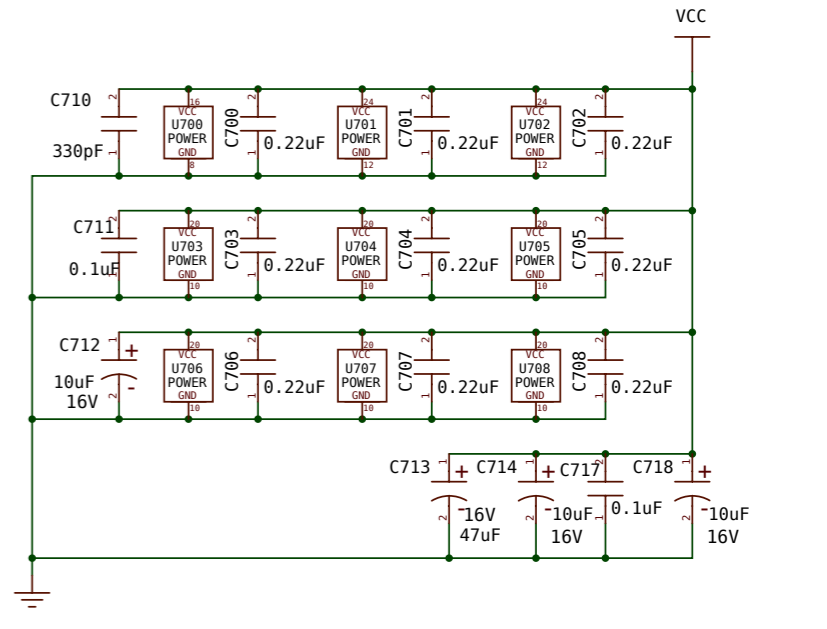
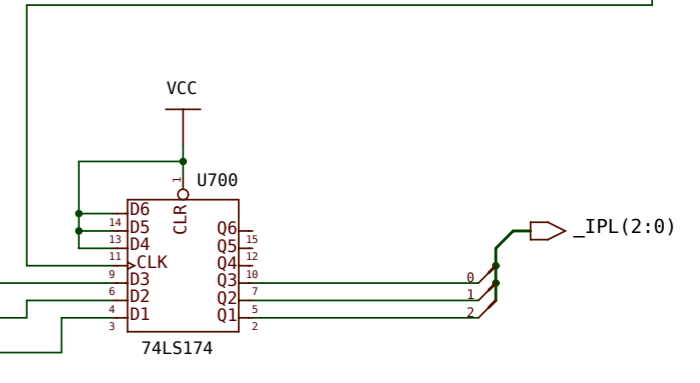
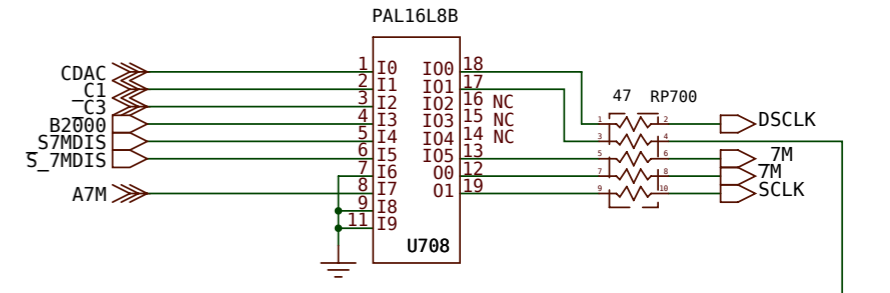
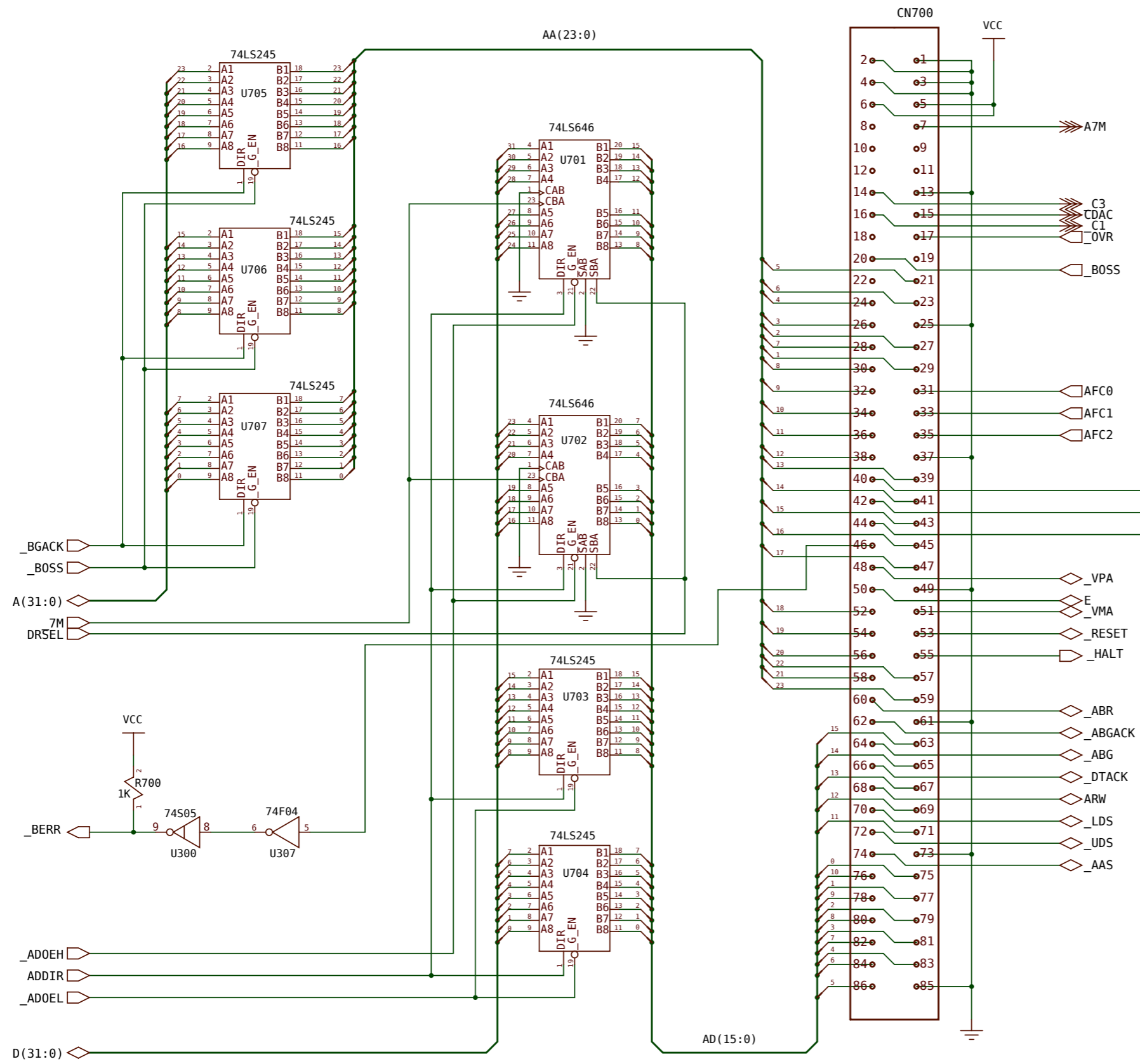
C.A.D. Generated
 No manual changes may be made to this document

I don't need to fight, to prove I'm right

	DRAWN BY: DAVE HAYNIE	DATE: 3/9/89	Commodore SCHEMATIC A2630
	CHKD: ENGR: DBH	3/9/89	
	APPR:		
USED ON: A2630	NEXT ASSY: 312288	SIZE: C	REV: 9
SCALE: NONE			SHEET: 6 OF 7


PATH: -haynie/amiga/a2630 sheet6

Rev. 1.38 (89-09-2612)



And I still haven't found what I'm looking for

© 1989 COMMODORE BUSINESS MACHINES
 Information contained herein is the unpublished, confidential and trade secret property of Commodore Business Machines, Inc. Any use, reproduction or disclosure of this information without the prior written permission of Commodore is strictly prohibited.
 C.A.D. Generated
 No manual changes may be made to this document

	DRAWN BY: DAVE HAYNIE ENGR: DBH APPR: USED ON: A2630 NEXT ASSY: 312288	DATE: 3/9/89 DATE: 3/9/89 SIZE: C SCALE: NONE SHEET: 7 OF 7	Commodore SCHEMATIC A2630 SIZE: C 312289 REV: 9
---	---	--	---

REV. 1.38 (09/09/2012)